

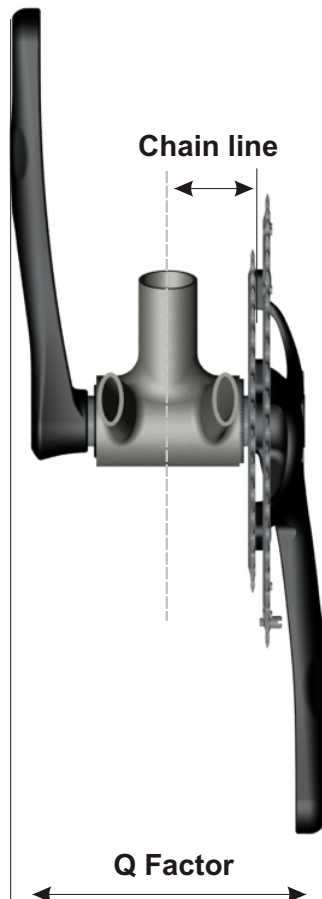
# Q factor & chain line

Cranksets	standard	Axle length		Preconised axle	Chain line		Q factor	
<b>ROAD</b>		<b>DOUBLE</b>	<b>TRIPLE</b>	<b>STRONGLIGHT</b>	<b>DOUBLE</b>	<b>TRIPLE</b>	<b>DOUBLE</b>	<b>TRIPLE</b>
Pulsion Activ Link	Integrated axle			ACTIV LINK	43,5 mm	45 mm	148 mm	160 mm
Fiss ion	Integrated axle			ACTIV LINK	43,5 mm	\	150 mm	\
Pulsion*	ISIS drive	108 mm	118 mm	TWISTER sI & TWISTER	43,5 mm	45 mm	148 mm	160 mm
Vulcan	ISIS drive	108 mm	118 mm	TWISTER sI & TWISTER	43,5 mm	45 mm	153 mm	158 mm
Ultim**	ISIS drive	108 mm	\	TWISTER sI & TWISTER	43,5 mm	\	148 mm	\
Z'light Activ link	Integrated axle			ACTIV LINK	43,5 mm	45 mm	149 mm	159 mm
Impact Activ Link	Integrated axle			ACTIV LINK	43,5 mm	45 mm	159 mm	168 mm
Impact	JIS	107 mm	115 mm	JP 400	43,5 mm	45 mm	159 mm	167 mm
Z'light**	ISIS drive	108 mm	118 mm	TWISTER / MX	43,5 mm	45 mm	148 mm	158 mm
Speedlight**	ISIS drive	108 mm	118 mm	TWISTER / MX	43,5 mm	45 mm	147 mm	157 mm
Mygal**	JIS	107 mm	115 mm	JP 400	45,5 mm	45 mm	157 mm	166 mm
<b>MTB</b>		<b>TRIPLE</b>		<b>STRONGLIGHT</b>	<b>TRIPLE</b>		<b>TRIPLE</b>	
Magma Activ link	Integrated axle			ACTIV LINK	47,5 mm		173 mm	
Oxale Ca Activ link	Integrated axle			ACTIV LINK	47,5 mm		172 mm	
Oxale Activ link	Integrated axle			ACTIV LINK	47,5 mm		172 mm	
Magma**	ISIS drive	113 mm		TWISTER sI & TWISTER	47,5 mm		173 mm	
Oxale Two**	ISIS drive	108 / 113 mm		TWISTER / MX	48 / 50 mm		166 / 171 mm	
Oxale	ISIS drive	113 mm		TWISTER / MX	47,5 mm		172 mm	
<b>Tandem*</b>		<b>DOUBLE</b>	<b>TRIPLE</b>	<b>STRONGLIGHT</b>	<b>DOUBLE</b>	<b>TRIPLE</b>	<b>DOUBLE</b>	<b>TRIPLE</b>
Duo light	ISIS drive	108 mm	118 mm	MX	43,5 mm	45 mm	152 mm	162 mm
Impact	JIS	110 mm	110 mm	JP 400	45,5 mm	46 mm	159 mm	168 mm
Oxale	ISIS drive	\	113 mm	MX	\	47,5 mm	\	172 mm
<b>TRACK*</b>		<b>Simple</b>		<b>STRONGLIGHT</b>	<b>Simple</b>		<b>Simple</b>	
Track	JIS	107 mm		JP 400	42 mm		145 mm	

\*Check the frame geometry with your dealer

\*\*2005/06 cranksets range

**Double**



**Triple**

